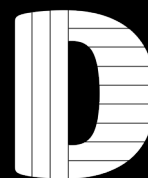


# THE SHERWOOD Garden Bar

## Fitting Instructions



### Component List

#### Supporting Frame

- 2 x Bar Front 3x3 Posts 2100mm (angled top) (A)
- 1 x Bar Front Roof Support 4x2 1800mm (B)
- 1 x Bar Front Floor Support 2x2 1660mm (C)
- 1 x Bar Front Bar Support 3x2 1660mm (D)
- 2 x Angled/Profiled Decorative Supports 200mm (E)

- 2 x Bar Rear 3x3 Posts 1935mm (angled top) (F)
- 1 x Bar Rear Roof Support 4x2 1800mm (G)
- 1 x Bar Rear Floor Support 2x2 1660mm (H)
- 1 x Bar Rear Vertical Support 3x2 1880mm (I)

- 1 x Open Side Bar Support 3x2 287mm (J)
- 1 x Open Side Shelf Support 2x2 355mm (K)
- 1 x Open Side Vertical Support 3x2 1065mm (L)
- 1 x Open Side Floor Support 3x2 1020mm (M)
- 1 x Open Side Roof Support Rafter 3x2 1200mm (angled) (N)

- 2 x Central Roof Support Rafter 3x2 1200mm (angled) (O)

- 1 x Closed Side Vertical Support 3x2 1065mm (P)
- 1 x Closed Side Shelf Support 2x2 355mm (Q)
- 1 x Closed Side Bar Support 3x2 1020mm (R)
- 1 x Closed Side Floor Support 2x2 1020mm (S)
- 1 x Closed Side Roof Support Rafter 3x2 1200mm (angled) (T)

#### Cladding

- 1 x Featheredge Front Bar Roof Fascia 1800mm (U1)
- 13 x Featheredge Roof Cladding 1800mm (U2)
- 18 x Featheredge Rear Wall Cladding 1800mm (U3)
- 11 x Featheredge Front Bar Cladding 1800mm (U4)
- 12x Featheredge Open Side Cladding 370mm (U5)
- 12 x Featheredge Closed Side Cladding 1180mm (U6)

#### Tools Required:

Drill driver

Pencil

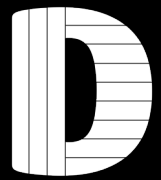
Tape measure

Spirit level

We recommend a minimum of 2 people to assemble this bar.

# THE SHERWOOD Garden Bar

## Fitting Instructions



### Component List Continued

#### Bar Top (Front)

- 1 x Bar Top Inner 6x2 1800mm
- 1 x Bar Top Centre 6x2 1800mm
- 1 x Bar Top Outer 9x2 1800mm (2 Notches)
- 1 x Internal Lower Shelf 8x1 1650mm
- 1 x Bar Top Outer Support Braces 2x2 (angled)

- (V1)
- (V2)
- (V3)
- (X)
- (Y)

#### Bar Top (Side)

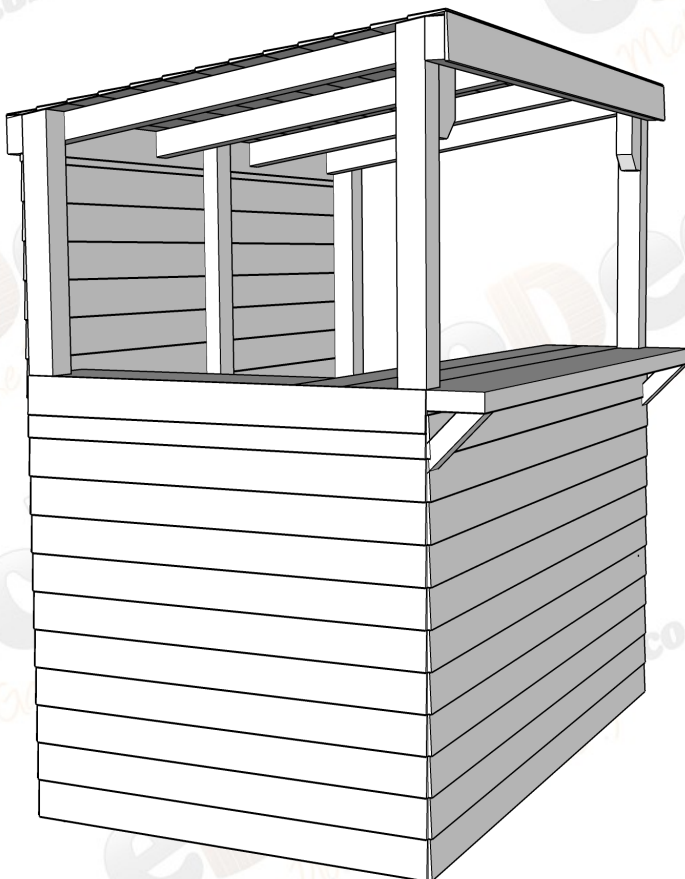
- 1 x Bar Top Outer 9x2 800mm (1 Notch)

- (W)

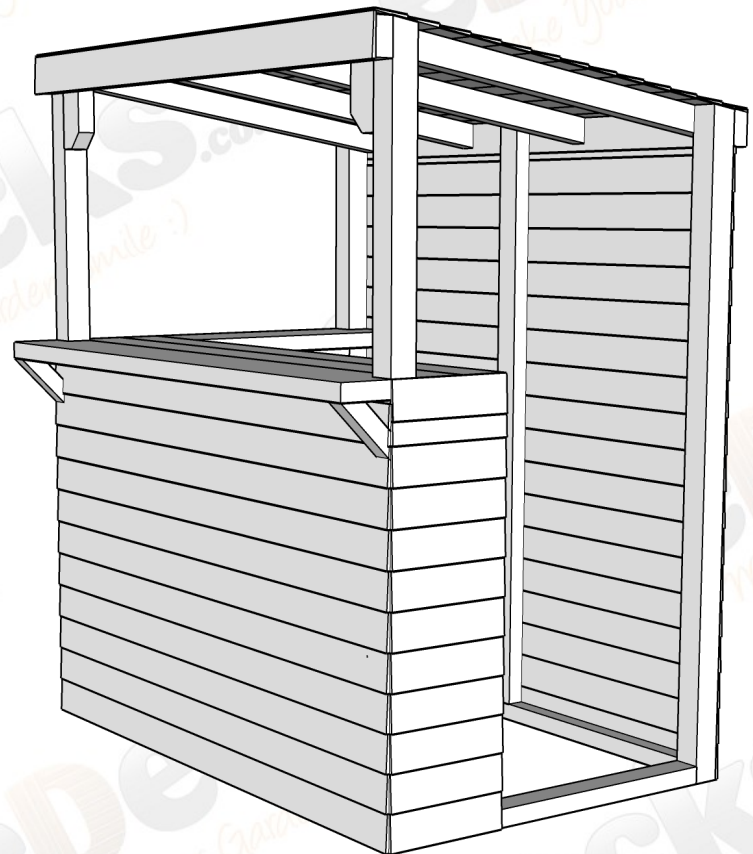
#### Fixings

- 74 x 100mm Wood Screws
- 195 x 50mm Green Screws
- 16 x 75mm Green Screws

- (Z1)
- (Z2)
- (Z3)

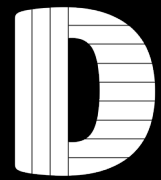


Closed Side



Open Side

All images are for illustration only. Please see individual item listings for actual item specifications.



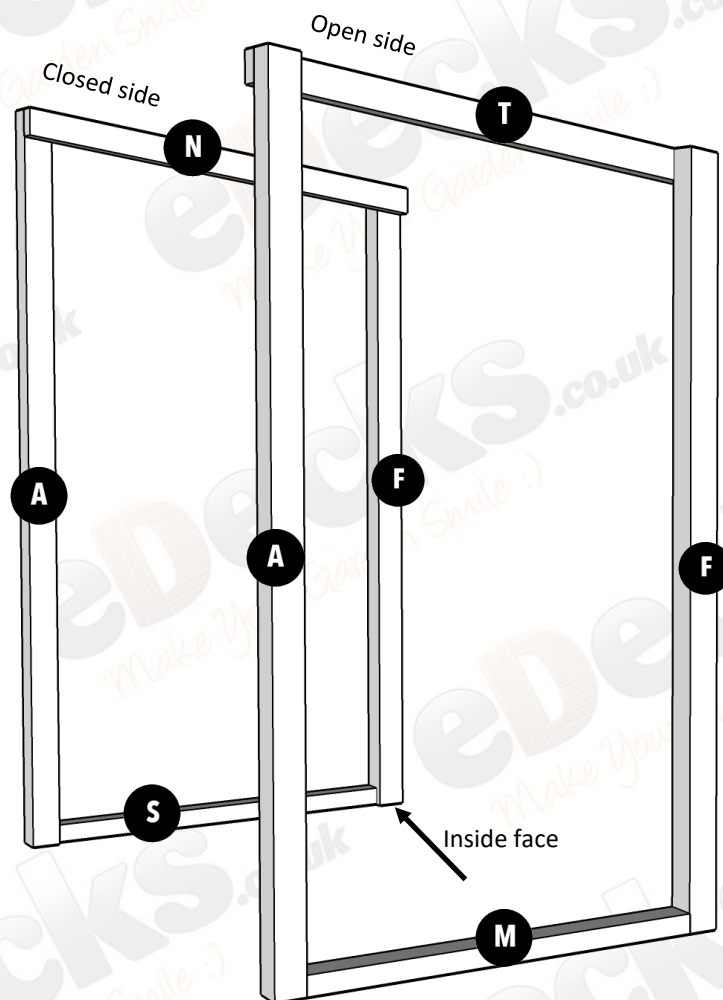
## Section 1 – Building the main frame

### Step 1

Create the closed side frame using the following components **(A)** **(F)** **(S)** and **(N)**. Make sure the angled posts are sloping towards the rear (lower end). Fix **(S)** flush with the outside face of the frame, NOT the inside face. Do not fix it centrally. Use 2 x 100mm Wood Screws **(Z1)** per fixing.

*Note: **(S)** is 2x2 timber and **(M)** is 3x2 timber.*

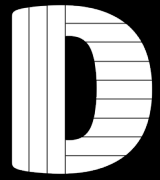
Repeat Step 1 using the following components **(A)** **(F)** **(M)** and **(T)** to create the open side frame. Fix **(M)** laid horizontally so that the edges sit flush with frame posts **(A)** and **(F)**. Use 2 x 100mm Wood Screws **(Z1)** per fixing.



Remember to check your work with a level as you go!

# THE SHERWOOD Garden Bar

## Fitting Instructions



### Section 1 – Building the main frame

#### Step 2

Add the floor and roof supports using components **(B)** **(C)** **(G)** and **(H)** using 2 x 100mm Wood Screws **(Z1)** per fixing.

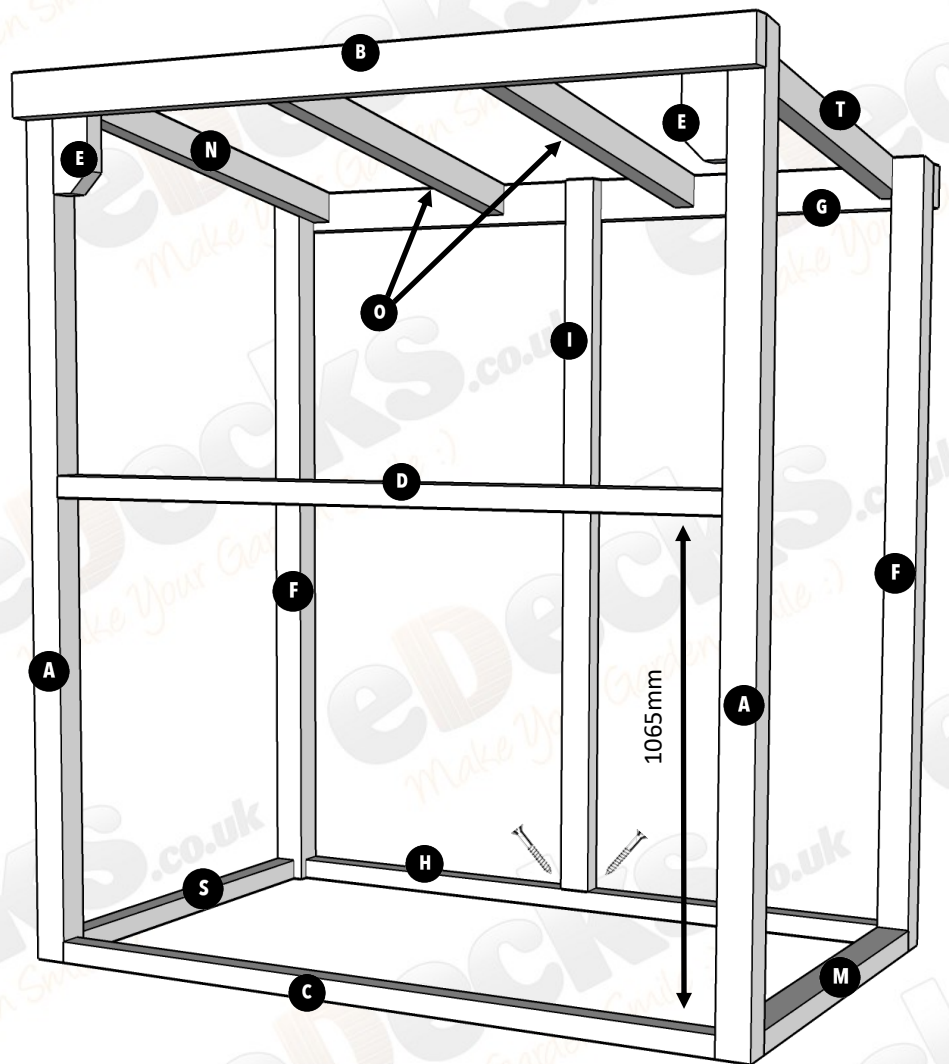
At the front of the bar, fix in place the Bar Front Bar Support 3x2 1660mm **(D)**. Screw through the Bar Front posts **(A)** to secure in place. Use 2 x 100mm Wood Screws **(Z1)** per fixing.

*Note: The internal measurement to leave between the Front Floor Support **(C)** and the Front Bar Support **(D)** is 1065mm.*

Next, equally space and secure the 2 x Central Roof Support Rafter 3x2 1200mm (angled) **(O)** using 2 x 100mm Wood Screws **(Z1)**, in through the front and rear roof supports, **(B)** and **(G)**.

Secure the rear bar vertical support 3x2 1880mm **(I)** at the bottom, to the bar rear floor support **(H)**. Use 2 x 50mm screws **(Z2)** on an angle through the bottom of the support into the floor support **(H)**. Fix the top of the vertical support by driving 2x 50mm screws **(Z2)** in through the bar rear roof support **(G)**, in to **(I)**.

Fix the 2 x Angled/Profiled Decorative Supports 200mm **(E)** flush in the corners of the front bars frame. Drive through the bar posts in to the decorative supports using 2 x 100mm Wood Screws **(Z1)** per decorative piece.

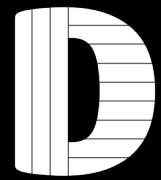


Remember to check your work with a level as you go!

Page 4 of 10

# THE SHERWOOD Garden Bar

## Fitting Instructions



### Section 2 – Building the sides

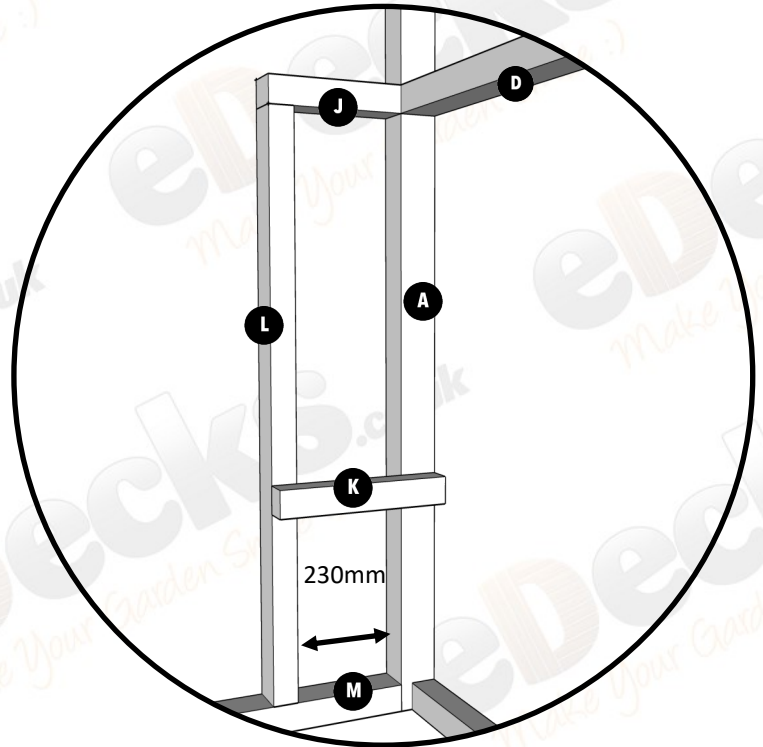
#### Step 3

Secure the Open Side Vertical Support 3x2 1065mm (L) driving 2 x 100mm Wood Screws (Z1) on an angle through the bottom of the support in to the Open Side Floor Support 3x2 1020mm (M).

*The internal measurement to leave between the Vertical Support and the Bar Post (A) is 230mm.*

Secure the Open Side Bar Support 3x2 287mm (J) flush to the edge and on the top of the Open Side Vertical Support 3x2 1065mm (L). Use 2 x 100mm Wood Screws (Z1) to drive through the bar front 3x3 post (A) into the bar support (J). Drive another 2x 100mm wood screws (Z1) through bar support (J) into (L)

*The lower shelf supported by (K) can be fitted at a height as per your preference. Fix (K) in position now with 2 x 100mm Wood Screws (Z1) at each side.*

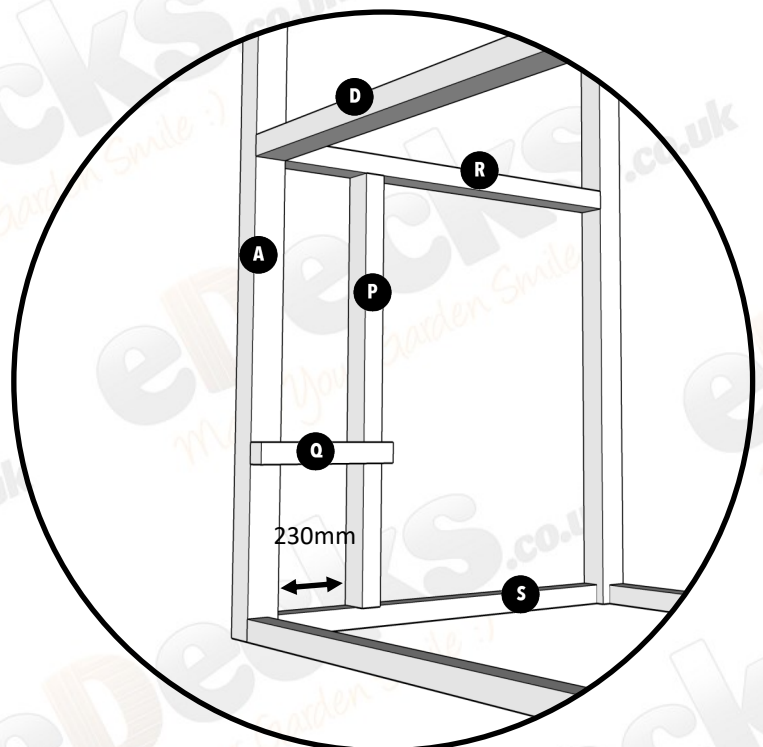


#### Step 4

Secure the Closed Side Vertical Support 3x2 1020mm (P) by driving 2 x 100mm Wood Screws (Z1) on an angle through the bottom of the support in to the Closed Side Floor Support 2x2 1020mm (S); it is important that the Vertical Support (P) is fitted so that the shortest 2" edge is facing the open side of the bar.

*The internal measurement to leave between the Vertical Support and the Bar Post is 230mm.*

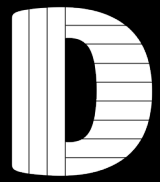
Rest the Closed Side Bar Support 3x2 1065mm (R) on top of the Closed Side Vertical Support 3x2 1020mm (P) and use two 75mm Green Screws to fix the support in to the Bar Posts at each end. Drive in from the outside of the bar frame. Next, fix the Closed Side Shelf Support 2x2 355mm (Q) at the same height as decided for the other side using 2 x 100mm Wood Screws (Z1).



Remember to check your work with a level as you go!

# THE SHERWOOD Garden Bar

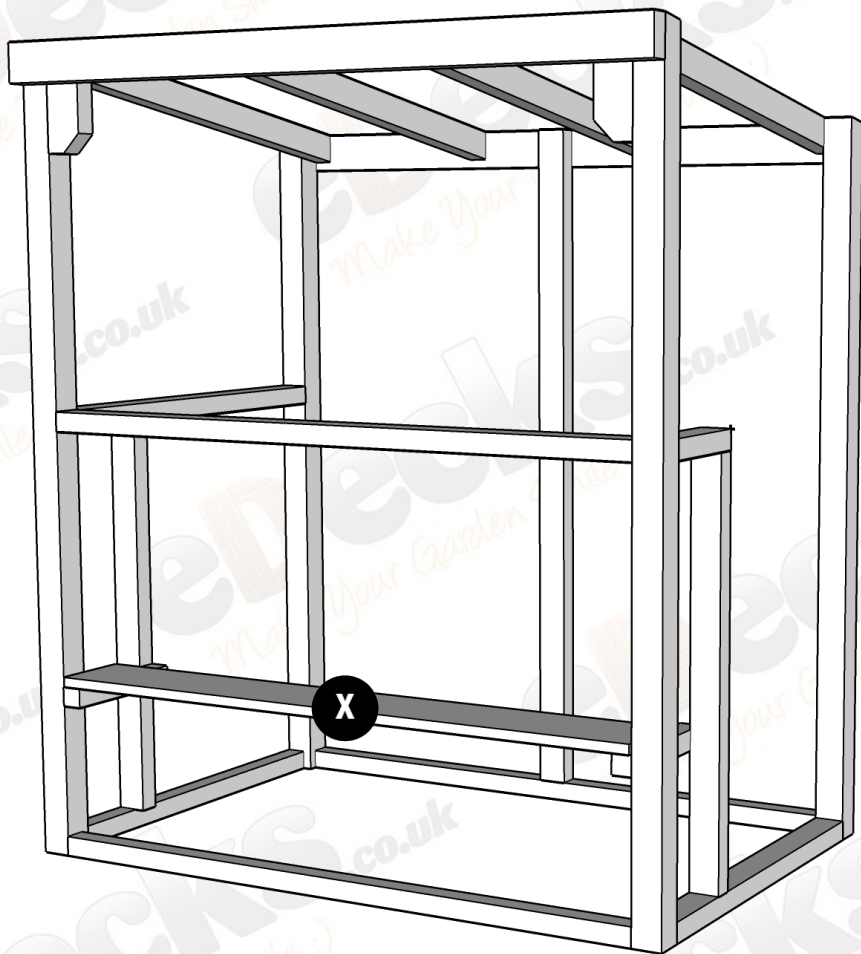
## Fitting Instructions



### Section 2 – Building the sides

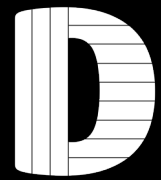
#### Step 4 continued

Lay the Internal Lower Shelf 8x1 1650mm (**X**) on top of the Shelf Supports (**K**) and (**Q**), and fix in place using 2 x 75mm Green Screws (**Z3**) either end.



Remember to check your work with a level as you go!

Page 6 of 10



### Section 3 – Fixing the Bar Top

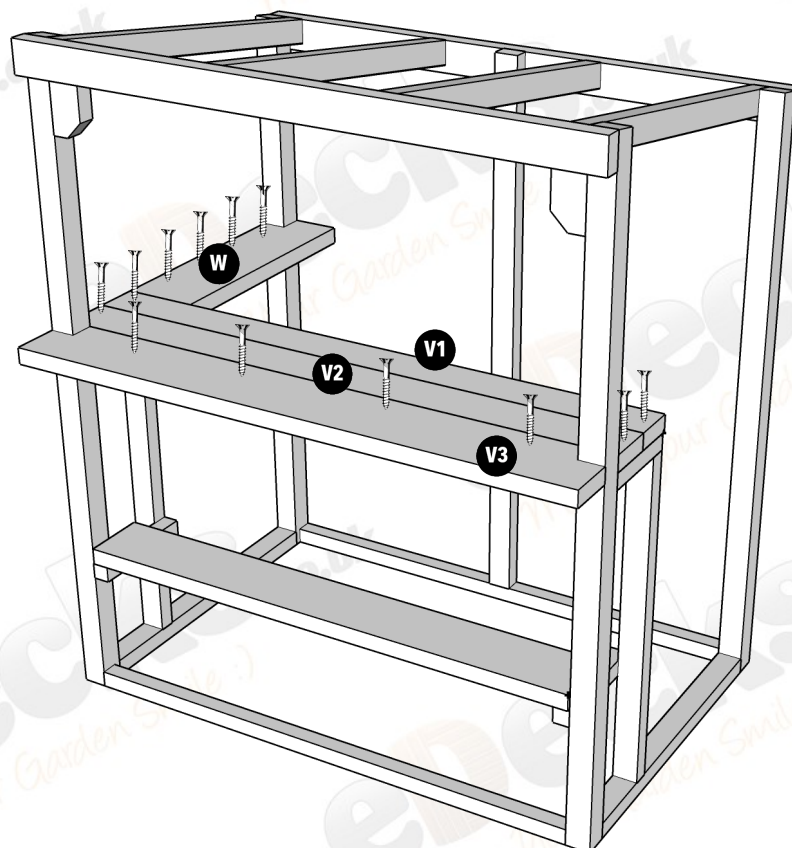
#### Step 5

Place the Bar Top Outer 9x2 1800mm (2 notches) (**V3**) at the front of the bar using the notches as a guide to fit around the front bar posts.

Secure in place using 4 x 75mm Green Screws (**Z3**) screwing through the bar into the Bar Front Support (**D**) evenly spacing the distance between the screws.

Repeat this for the Bar Top Centre 6x2 1800mm (**V2**) and the Bar Top Inner 6x2 1800mm (**V1**) screwing 2 x 75mm Green Screws (**Z3**) in to the Bar Supports (**J**) and (**R**) at each end.

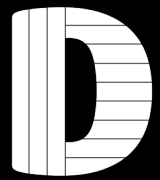
Place the Closed Side Bar Top Outer 9x2 800mm (1 Notch) (**W**) using the notch as a guide to fit around the rear post. Secure in place using 4 x 75mm Green Screws (**Z3**) screwing through the top of the Bar in to the Bar Support (**R**) evenly spacing the distance between the screws.



Remember to check your work with a level as you go!

# THE SHERWOOD Garden Bar

## Fitting Instructions

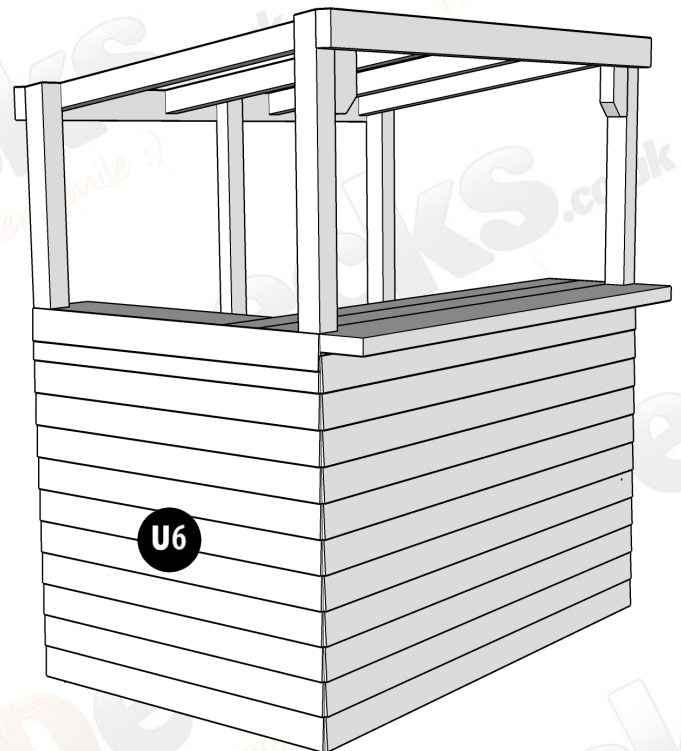
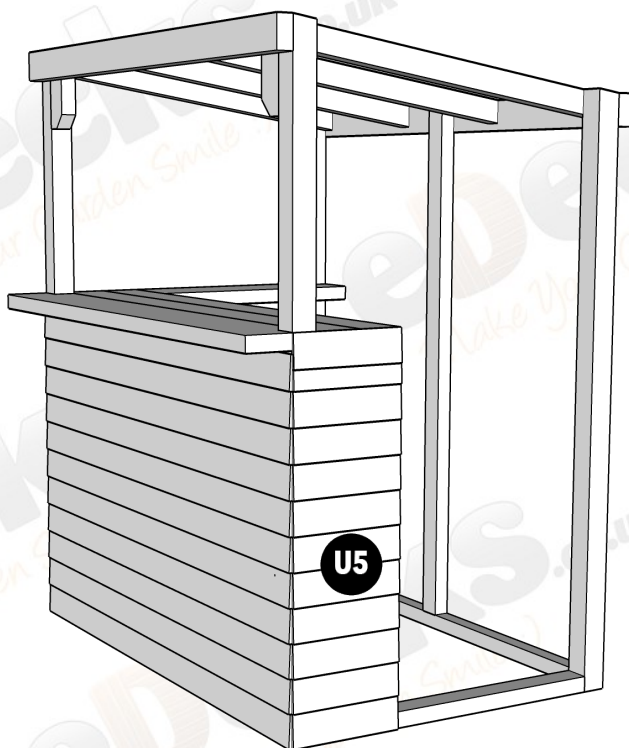
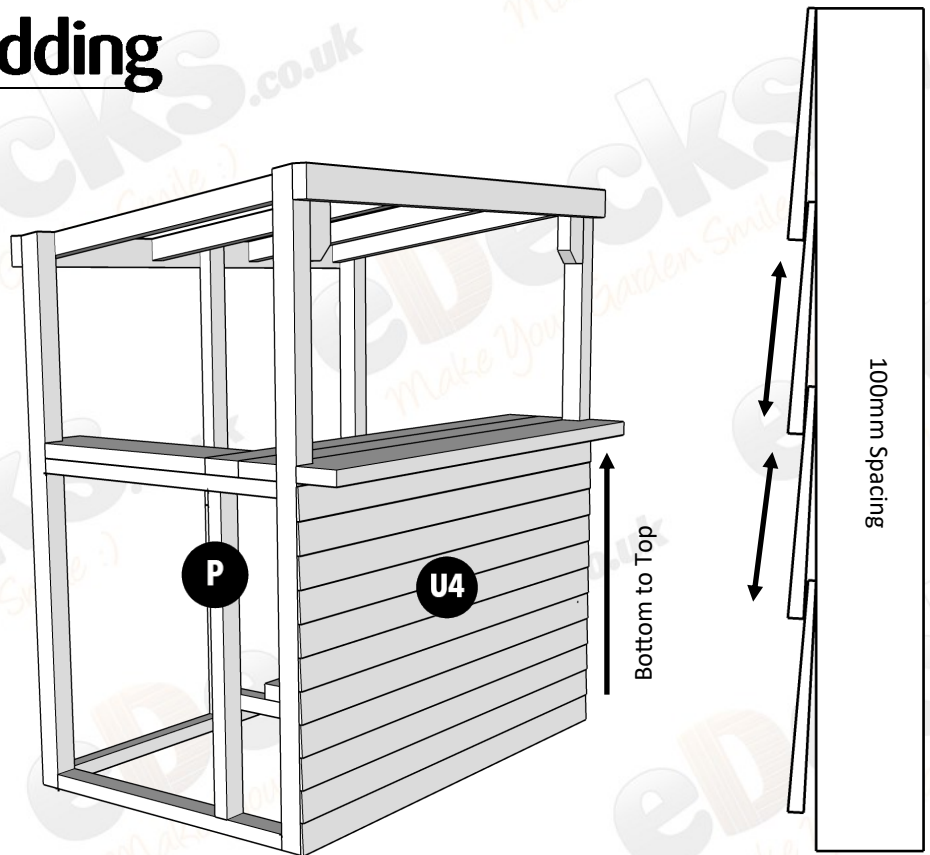


### Section 4 – Cladding

#### Step 6

Working from the bottom and working your way up clad the front of the Bar using the Featheredge Front Bar Cladding 1800mm (**U4**) using two 50mm Green Screws per board (**Z2**) with a 100mm spacing between cladding boards.

Repeat the above for the Open and Closed sides (**U5**) and (**U6**). Use 3 x 50mm Green Screws (**Z2**) per board on the closed side. Making sure you fix in to (**P**) as well as the frame posts.

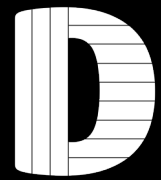


Remember to check your work with a level as you go!



# THE SHERWOOD Garden Bar

## Fitting Instructions

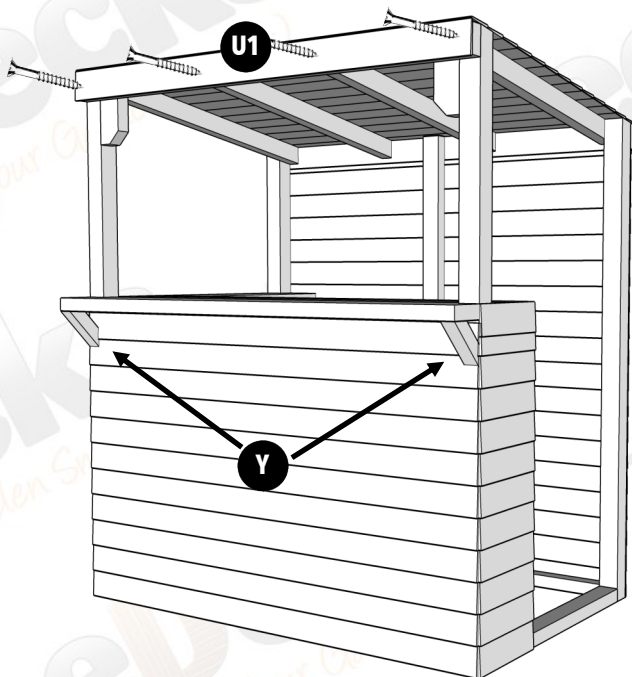
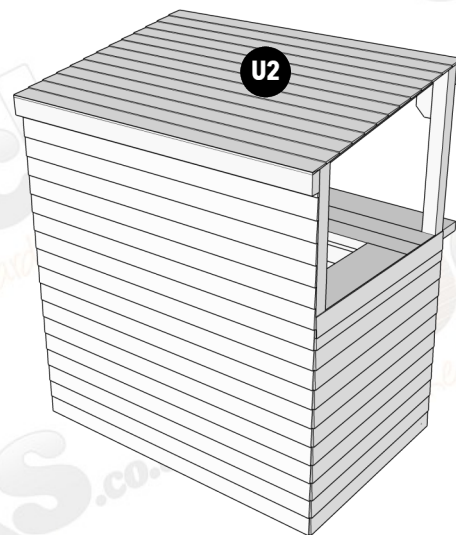
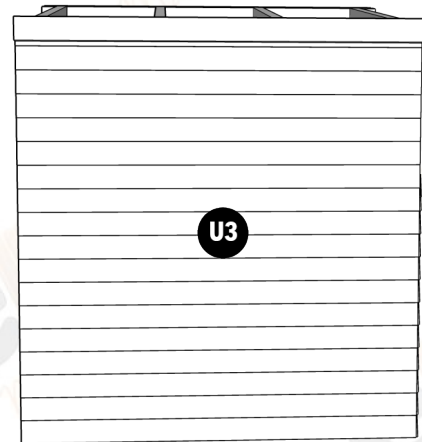


### Section 4 – Cladding

#### Step 6 continued

Clad the rear of the bar using the Featheredge Rear Wall Cladding 1800mm (**U3**) working from the bottom and working your way up as previous. Use 3 x 50mm Green Screws (**Z**) per board, using a spacing of 100mm between cladding boards.

Clad the Roof with the Featheredge Roof Cladding 1800mm (**U2**) working from the rear of the bar up to the front end using 2 x 50mm Green Screws per board (**Z**), fixing to the outside framework. Use a 100mm spacing between cladding boards.



#### Step 7

Add the Featheredge Front Bar Roof Fascia 1800mm (**U1**) to the front face of the bar using 4 x 100mm Wood Screws (**Z1**) in to the roof supports and outer bar posts.

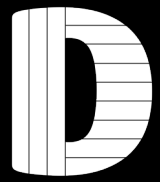
Finally, take the 2 x Bar Top Outer Support Braces 2x2 150mm (angled) (**Y**) and fasten into place using 2 x 100mm Wood Screws (**Z1**) per Brace.

Remember to check your work with a level as you go!

Page 9 of 10

# THE SHERWOOD Garden Bar

## Fitting Instructions



**Enjoy your new SHERWOOD Garden Bar!**